

LILLIPUT®

TOUCH SCREEN PTZ CAMERA CONTROLLER

Intuitive touch screen menu. Master multiple PTZ cameras.



K2 (without NDI)
K2-N (with NDI)

Model NO.:

CAMERA CONTROLLER



5 inch

Touch Screen



POE Powered



Real-time Monitoring



Track Recording



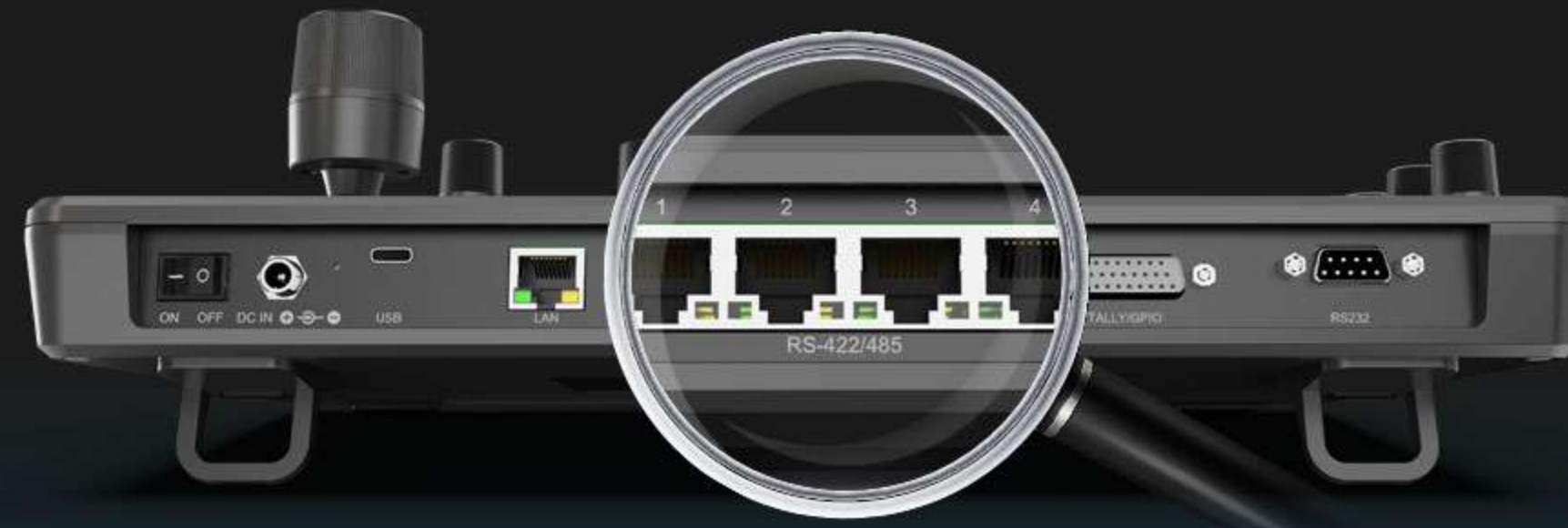
NDI / VISCA / ONVIF
Multiple Protocols



Up to 100 cameras



**5" Touch Screen
Monitoring Camera in Real Time**



IP / RS-422 / RS-485 / RS-232 Control



**Control Up to
100 IP Cameras,
255 Presets**

**Control Protocol by
NDI, VISCA, VISCA-IP
Onvif and Pelco P&D**



**Track Recording
and Playback**



Quickly Control Camera



POE Power Supply

**Tally GPIO, Switch
and Indicate The Camera**



5 Inch Touch Screen

Camera Menu Control

The PTZ camera keyboard controller features a 5-inch touchscreen that enables direct on-screen configuration of common camera menu parameters as well as monitoring camera status in real time.





Real-time Preview of Your Camera

NDI

RTSP

ONVIF

The controller supports decoding under NDI, RTSP and ONVIF protocol which allows simultaneous real-time preview of the camera video streams on the 5-inch screen and adjust your control accordingly.

*NDI version for optional

Camera Control Protocol

The controller has a variety of control interfaces including IP, RS-422/ RS-485/ RS-232. The rich control interface makes it easy to match camera connections of different interfaces. It offers cross protocol mix-control on one controller operating Protocol by NDI, VISCA, VISCA-IP and Pelco P&D, as well as ONVIF. (*NDI version for optional)



NDI

VISCA

VISCA-IP

Pelco P&D

ONVIF



Track Recording and Playback

Record camera path (pan, tilt, zoom)



Track Recording and Playback

This PTZ camera controller supports track loop function which allows you to record camera path (pan, tilt, zoom) and replay it whenever required without having to manually control the camera.



Sync Controller with switcher Via Tally GPIO

Equipped with GPIO, the controller can seamlessly integrate with switchers and tally system, enabling synchronized camera and video selection and simplifying your operations.

5" Touch Screen

Touch for adjust the menu, and support monitoring camera in real time

Camera Setting

Quickly search, add and call up to 100 cameras divided into 10 camera groups.

Camera Quick Access Control

Quickly control camera's iris, shutter speed, gain, auto exposure, white balance, and black balance for optimal PTZ camera performance.

Focus and Zoom Adjust

Supports camera auto focus and manual focus, and can also adjust camera zoom and focus speed.



Menu Knob

Adjust the menu of the controller itself, and can also control the camera menu.

Assignable Functions & CAM PWR, OSD, PVW

It can store up to 6 user-assignable keys. Other 3 shortcut keys used to control camera power, open the camera menu and preview the camera screen.

4D Joystick

Use for pan/tilt speed, and zoom speed control and controller own menu settings.

Position Setting

Quickly set and wake up to 255 camera positions.

Multi-function Digital Panel

Used to assist input numbers, letters, etc.



Power-over-Ethernet (PoE)

Control up to total of 100 IP cameras on a single network with PoE support. You can use not only traditional DC power supply but also POE power supply to set up in various locations.

1× RS-232 & 4 × RS-485 /422 Control Interfaces

RS-232, RS-422 and RS-485 communication support protocols such as PELCO-D, PELCO-P and VISCA,. Each serial port can connect up to 7 cameras under the Visca protocol.

IP Control Interface

IP control is a very intelligent and convenient control mode. With IP control, automatically search available IP cameras in the network and assign IP addresses easily.

IP control supports NDI (Optional), ONVIF and Visca - IP. K2 enables user to easily control up to 100 IP cameras.



POWER SWITCH

DC 12V IN

USB-C

LAN (POE)

NDI (Optional), VISCA-IP, ONVIF

4 × RS422 / 485

PELCO-D, PELCO-P, VISCA

TALLY / GPIO

RS232

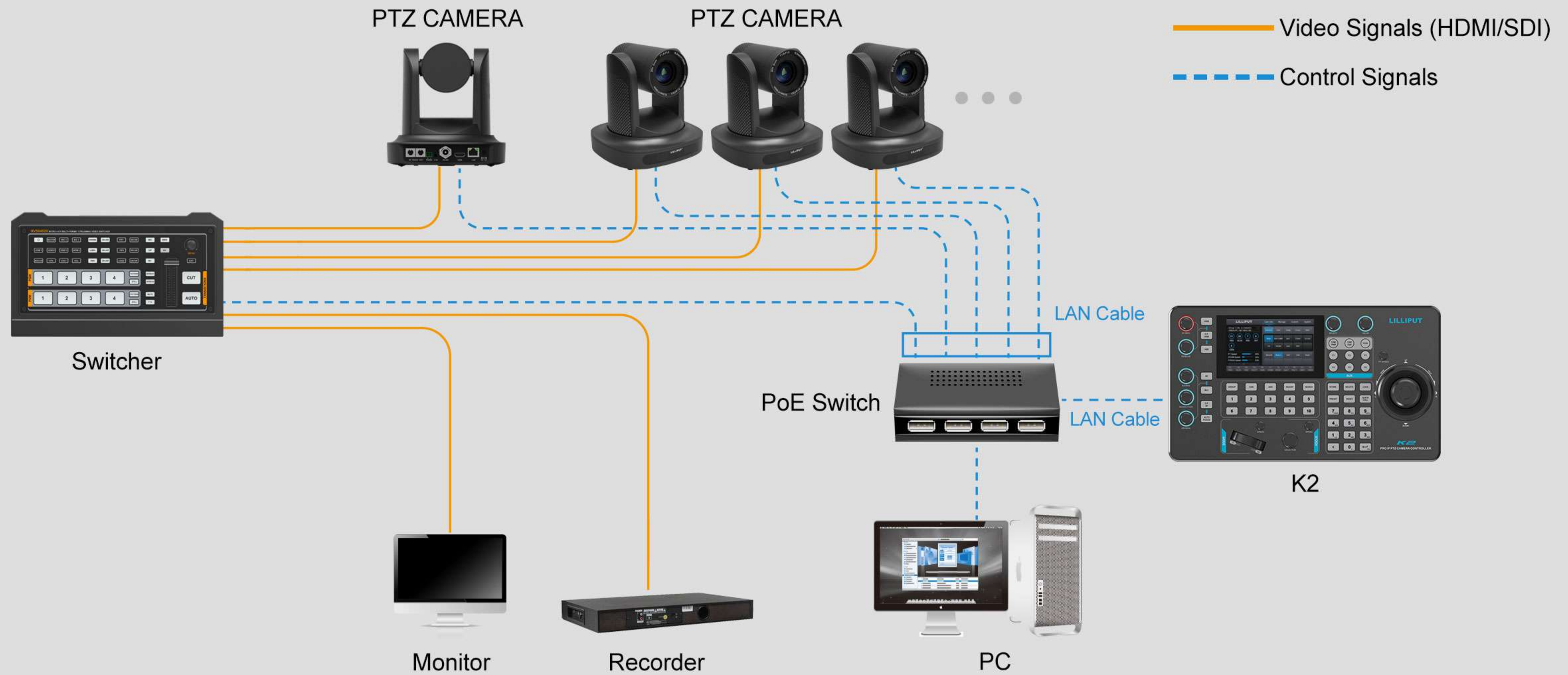


Ergonomic Bracket for Optimal Control

The controller is equipped with an ergonomically designed bracket that enhances your control experience and viewing angle of the screen.

Connection Diagram

Adopt RS-232, RS-422, RS-485 and IP(RJ45) multiple interface control signal, up to 100 cameras can be connected.
The following application workflow shows how to control multiple cameras through IP Interface through the PTZ controller





CHURCH



CONCERT



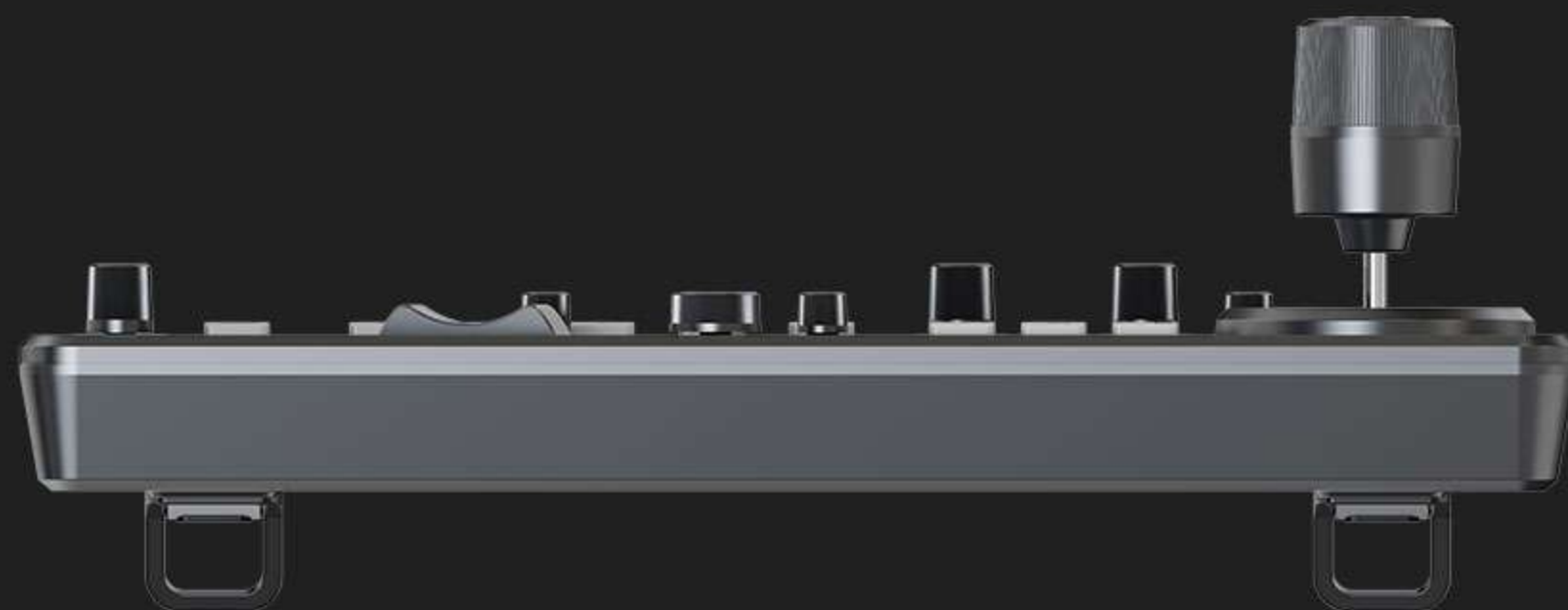
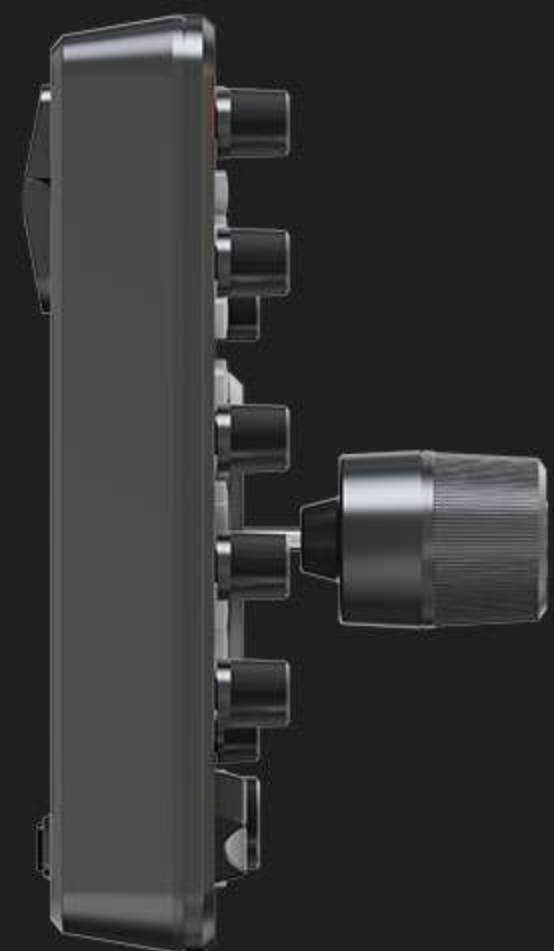
SPORT LIVE



INTERVIEW

Application Fields

The controller can be widely used in various field events, such as church, concert, education, interviews, sports live broadcast, other live broadcast activities.



110.2mm

340mm

195mm

SPECIFICATIONS

K2

K2-N

CONNECTIONS	Interfaces	IP(RJ45)×1, RS-232×1, RS-485 / RS-422×4, TALLY×1, USB2.0 (For upgrade)
	IP Protocol	ONVIF, VISCA-IP ONVIF, VISCA-IP, NDI
	Serial Protocol	PELCO-D, PELCO-P, VISCA
	Serial Baud Rate	2400, 4800, 9600, 19200, 38400, 115200 bps
	LAN Port Standard	100M×1 (PoE / PoE+: IEEE802.3 af/at)
USER INTERFACES	Display	5 inch Touch Screen
	Knob	Quickly control iris, shutter speed, gain, auto exposure, white balance, etc.
	Joystick	Pan/Tilt/Zoom
	Camera Group	10 (Each group connect up to 10 cameras)
	Camera Address	Up to 100
	Camera Preset	Up to 255
POWER	Power	PoE / DC 7~24V
	Power Consumption	PoE: <8W, DC: <8W
ENVIRONMENT	Working Temperature	-20°C~60°C
	Storage Temperature	-20°C~70°C
DIMENSION	Dimension(LWD)	340×195×49.5mm / 340×195×110.2mm (With joystick)
	Weight	Net: 1730g, Gross: 2360g

ACCESSORIES



12V 2A Power Adapter



Tally Connector

